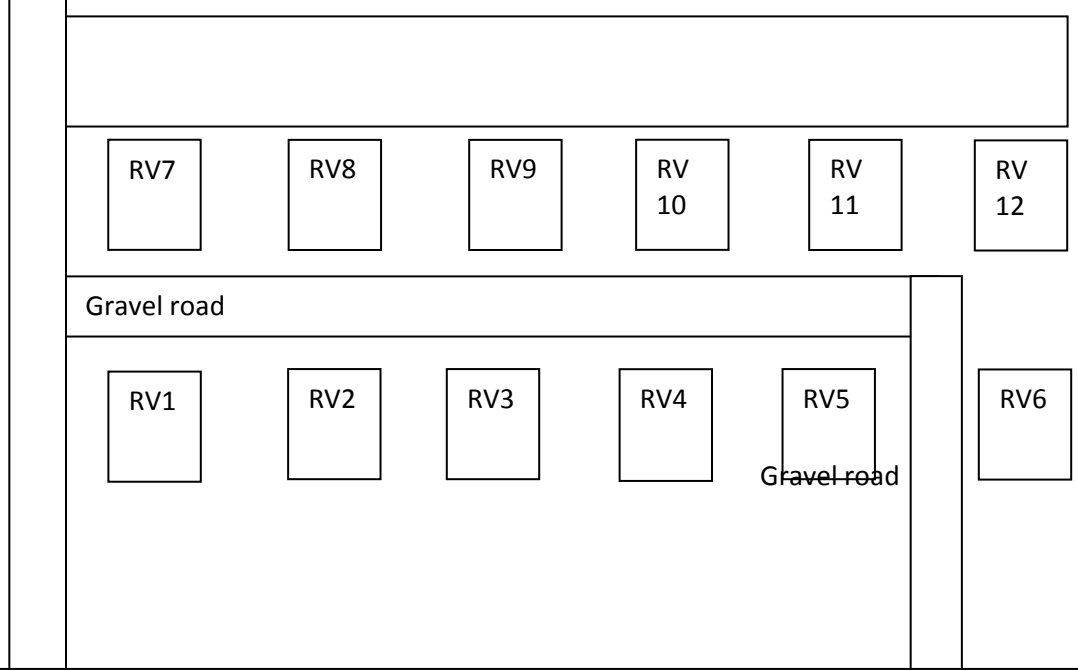
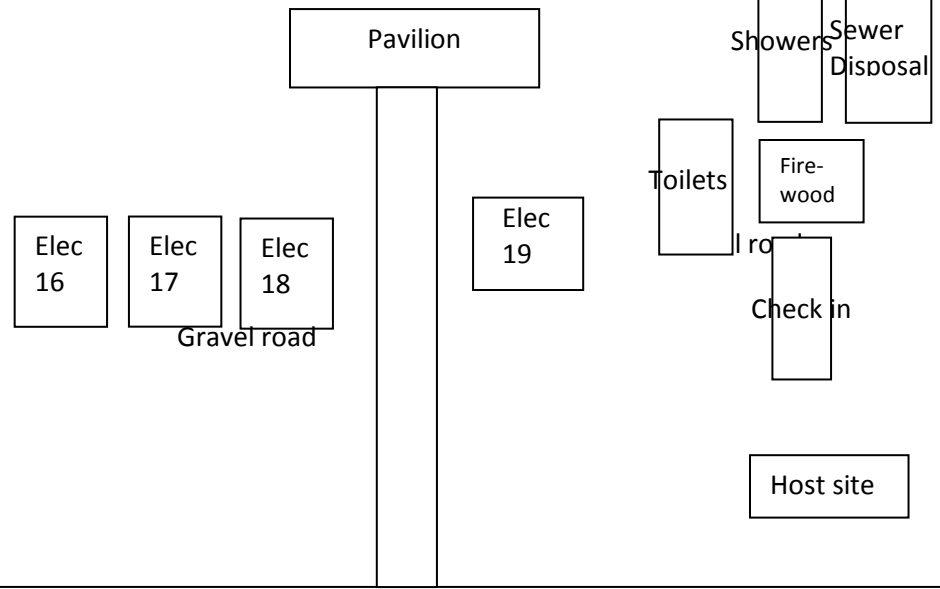


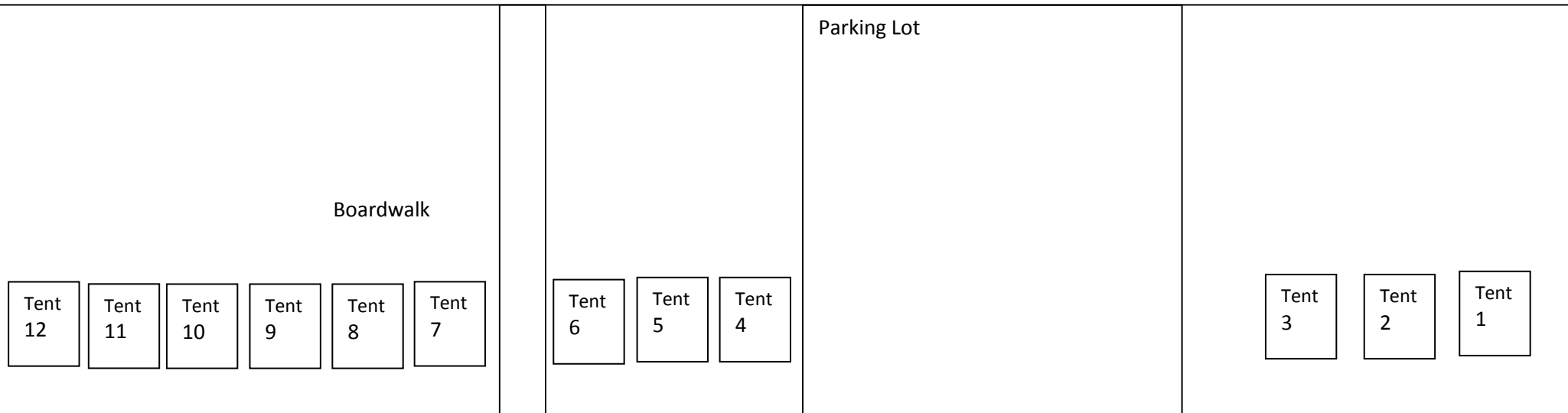
Map not to scale. Intended for general placement only. RV Sites 1-12 have individual water and electrical hook-ups. Sites 16-19 by pavilion are electrical hook-up only. All sites have picnic tables and fire rings. Wooded tent sites 22-28 do not have a view of the lake.

HERBSTER CAMPGROUND

- Tent 28
- Tent 27
- Tent 26
- Tent 25
- Tent 24
- Tent 23
- Tent 22
- Tent 21
- Tent 20



Bark Point Road (paved)



Lake Superior